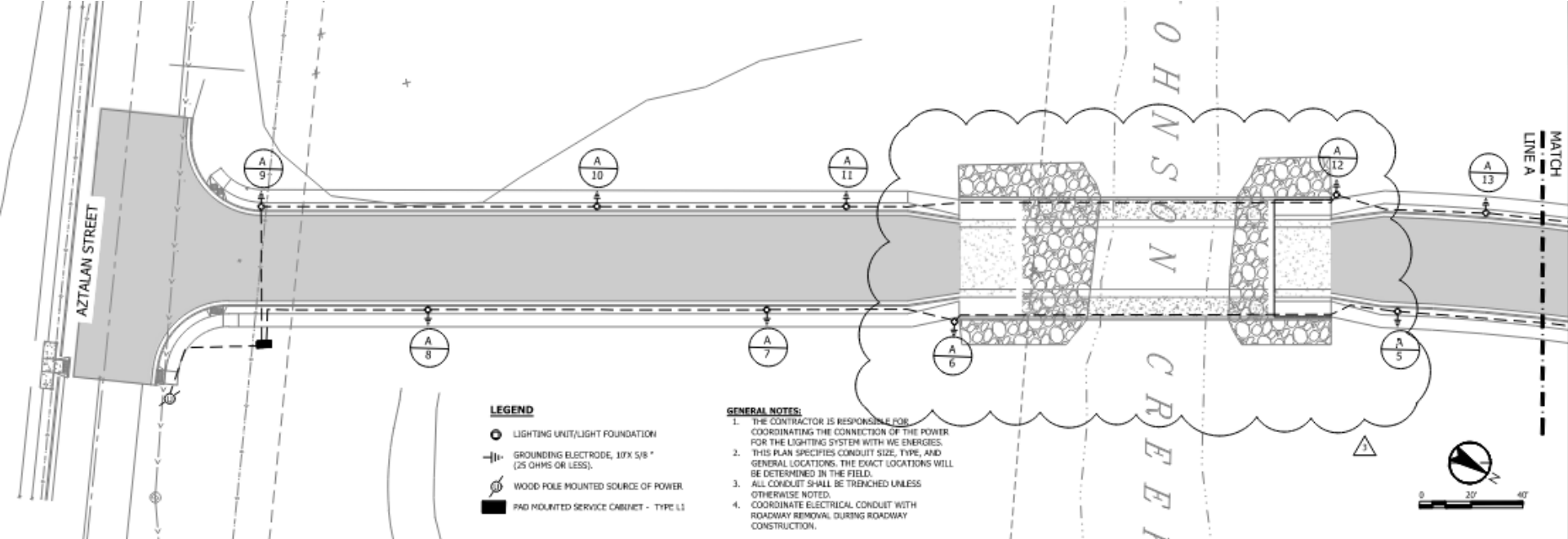


APPROX. STRIPING & SIGNAGE QUANTITIES:

MARKING LINE PAINT, 4-INCH	8,197 LF
MARKING STOP LINE PAINT, 18-INCH	41 LF
MARKING CROSSWALK PAINT TRANSVERSE LINE 6-INCH	447 LF
BIKE LANE SYMBOL	8 EA
RSFB SIGN	2 EA
R1-1 SIGN	2 EA
W11-2, W16-9p SIGNS	2 EA

GENERAL NOTES:
 1. STRIPING AND SIGNAGE LOCATIONS SHOWN ARE NOT EXACT. LOCATIONS AND DIMENSIONS SHALL ADHERE TO WISCONSIN MUTCD - LATEST EDITION AND CONFIRMED WITH ENGINEER/OWNER IN FIELD

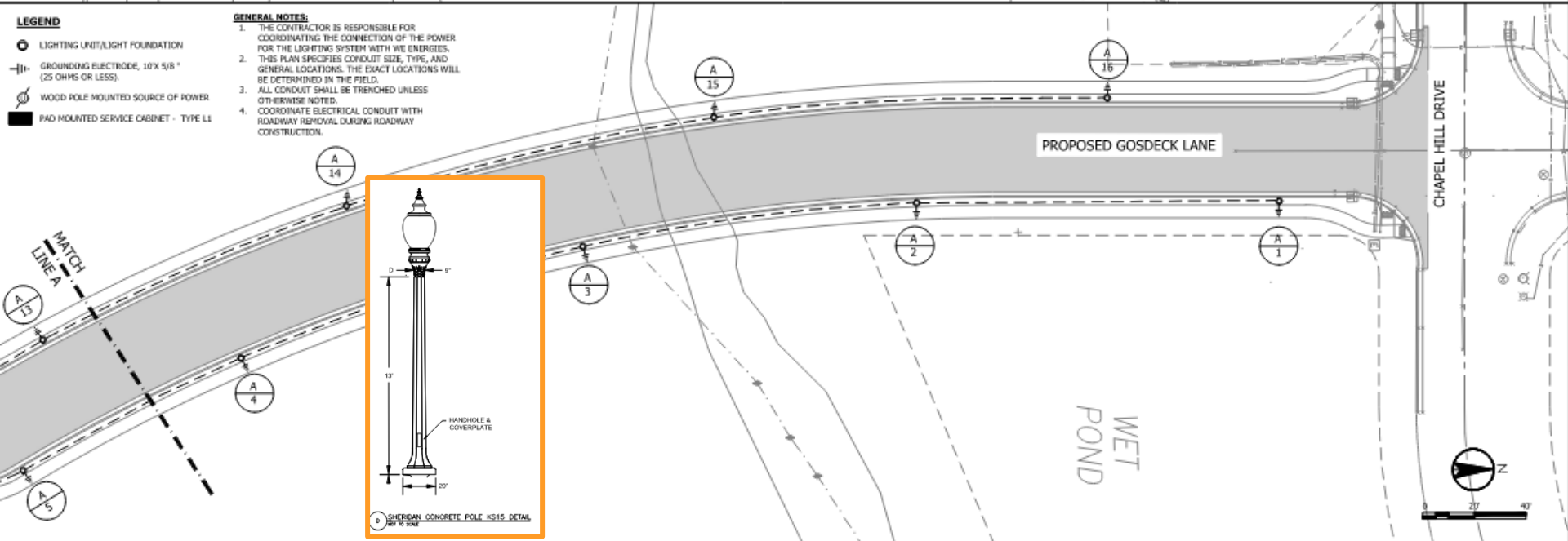


LEGEND

- LIGHTING UNIT/LIGHT FOUNDATION
- GROUNDING ELECTRODE, 10X 5/8" (25 OHMS OR LESS)
- WOOD POLE MOUNTED SOURCE OF POWER
- PAD MOUNTED SERVICE CABINET - TYPE L1

GENERAL NOTES:

1. THE CONTRACTOR IS RESPONSIBLE FOR COORDINATING THE CONNECTION OF THE POWER FOR THE LIGHTING SYSTEM WITH WE ENERGIES. THIS PLAN SPECIFIES CONDUIT SIZE, TYPE, AND GENERAL LOCATIONS. THE EXACT LOCATIONS WILL BE DETERMINED IN THE FIELD.
2. ALL CONDUIT SHALL BE TRENCHED UNLESS OTHERWISE NOTED.
3. COORDINATE ELECTRICAL CONDUIT WITH ROADWAY REMOVAL DURING ROADWAY CONSTRUCTION.

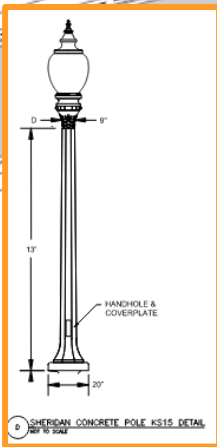


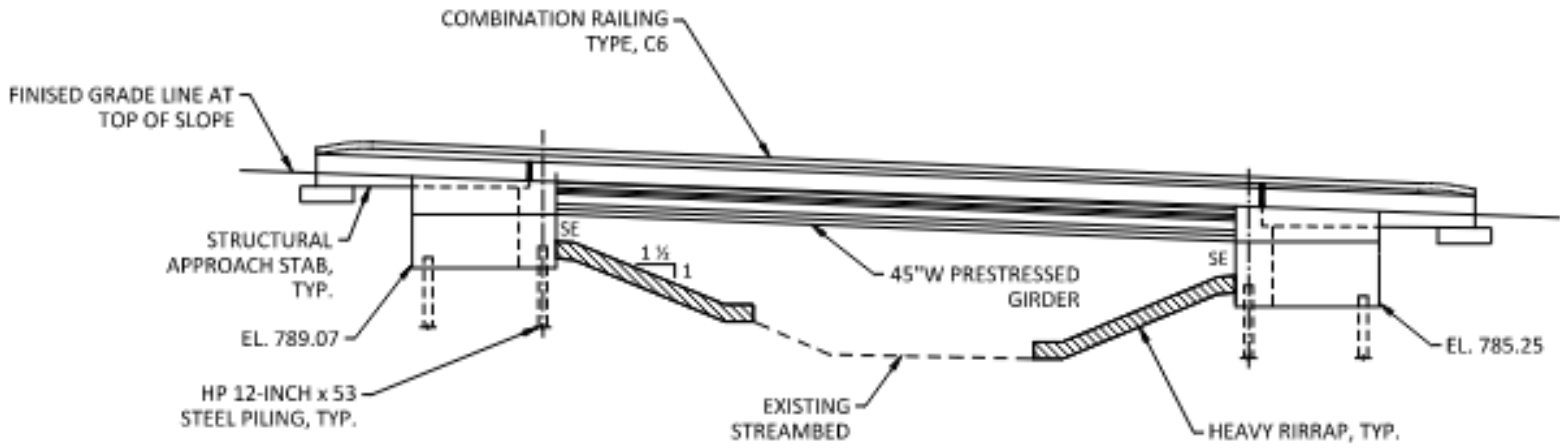
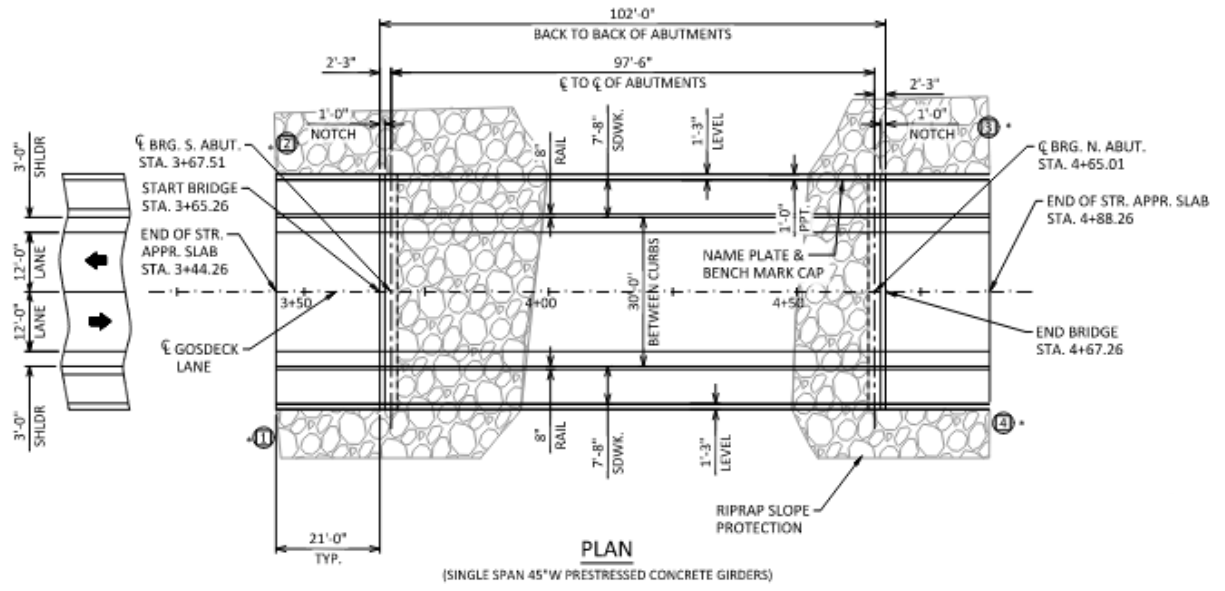
LEGEND

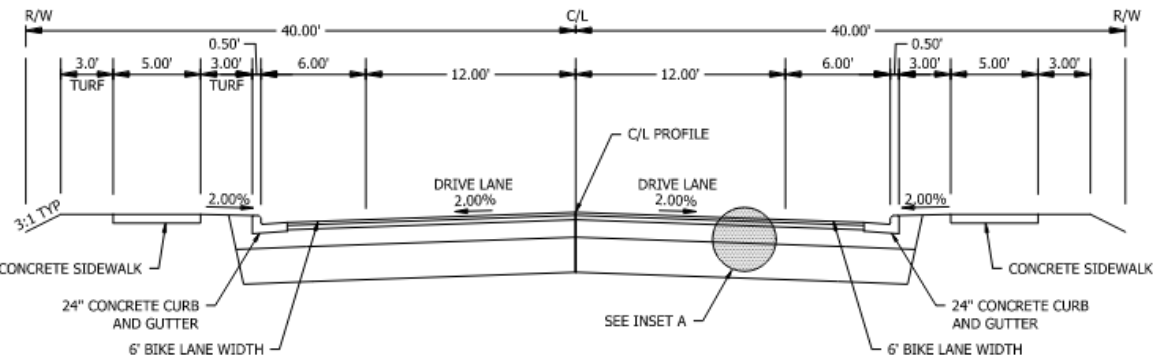
- LIGHTING UNIT/LIGHT FOUNDATION
- GROUNDING ELECTRODE, 10X 5/8" (25 OHMS OR LESS)
- WOOD POLE MOUNTED SOURCE OF POWER
- PAD MOUNTED SERVICE CABINET - TYPE L1

GENERAL NOTES:

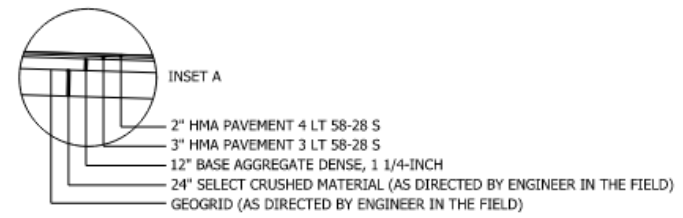
1. THE CONTRACTOR IS RESPONSIBLE FOR COORDINATING THE CONNECTION OF THE POWER FOR THE LIGHTING SYSTEM WITH WE ENERGIES. THIS PLAN SPECIFIES CONDUIT SIZE, TYPE, AND GENERAL LOCATIONS. THE EXACT LOCATIONS WILL BE DETERMINED IN THE FIELD.
2. ALL CONDUIT SHALL BE TRENCHED UNLESS OTHERWISE NOTED.
3. COORDINATE ELECTRICAL CONDUIT WITH ROADWAY REMOVAL DURING ROADWAY CONSTRUCTION.



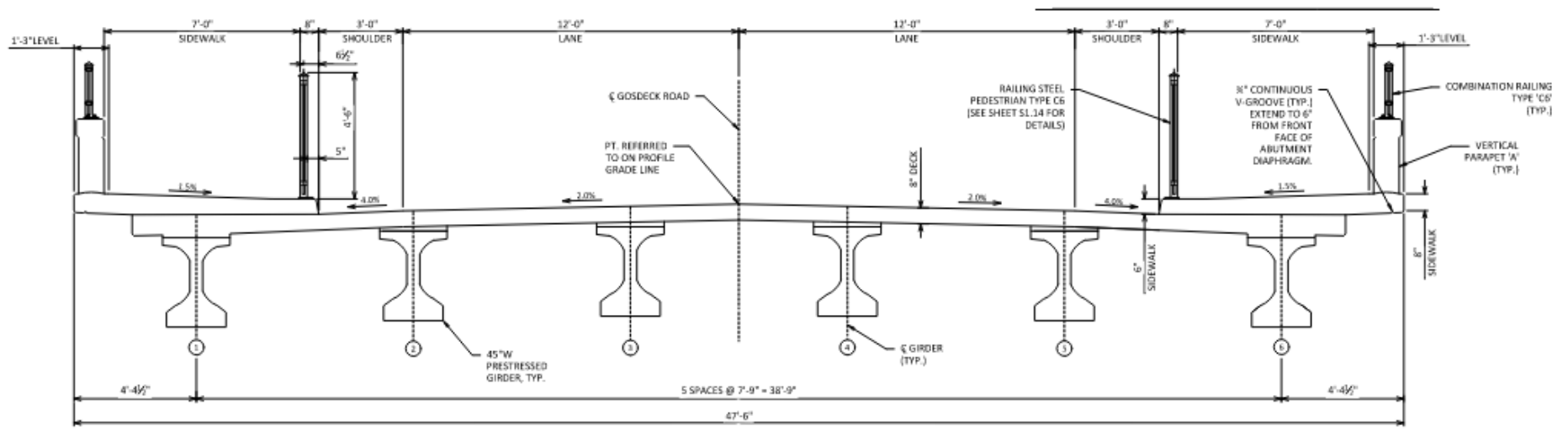




TYPICAL SECTION
GOSDECK LANE



NOTE:
TACK COAT SHALL BE APPLIED ON ALL STREETS BETWEEN UPPER AND LOWER LAYERS OF HMA PAVEMENT, TYP.



TYPICAL SECTION THRU BRIDGE
(LOOKING NORTH)

ANY QUESTIONS PLEASE FEEL FREE TO ASK ANY OF THE STANTEC
OR JOHNSON CREEK STAFF HERE IN ATTENDANCE AND PLEASE
FEEL FREE TO TAKE AN F.A.Q. HANDOUT HOME WITH YOU